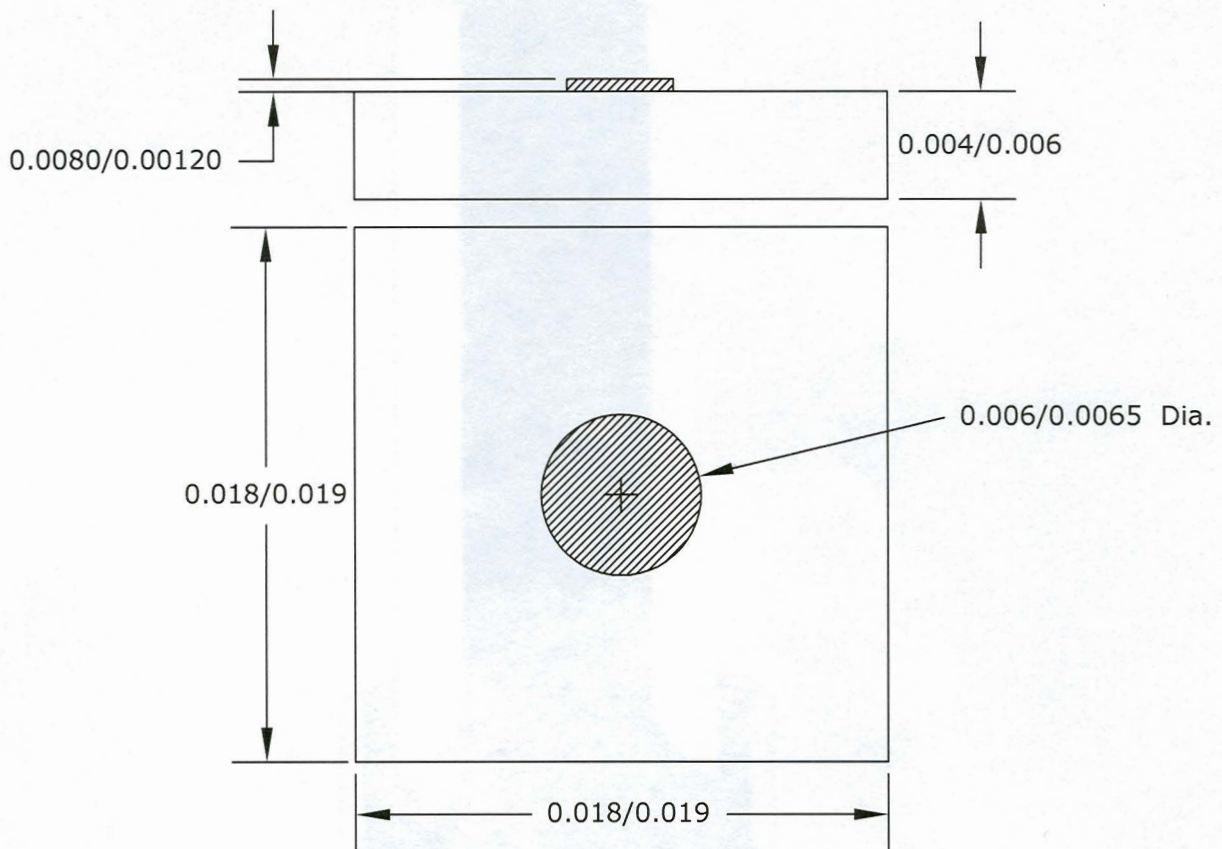




REVISIONS				
ZONE	REV	DESCRIPTION	DATE	APPROVED



For reference only

APPROVAL Drawn by: <i>H. Flores</i> Engineering: <i>S. Pichal</i> Manager Q.A. MANAGER	M-pulse Microwave Inc. 576 Charcot Ave. San Jose, CA 95131 mpulsemw.com			
	M-pulse Part No. <p style="text-align: center; font-size: 1.5em;">C12</p>			
	SIZE	APPROVAL DATE:	PACKAGE DWG NO.	REV
	SCALE		SHEET	

