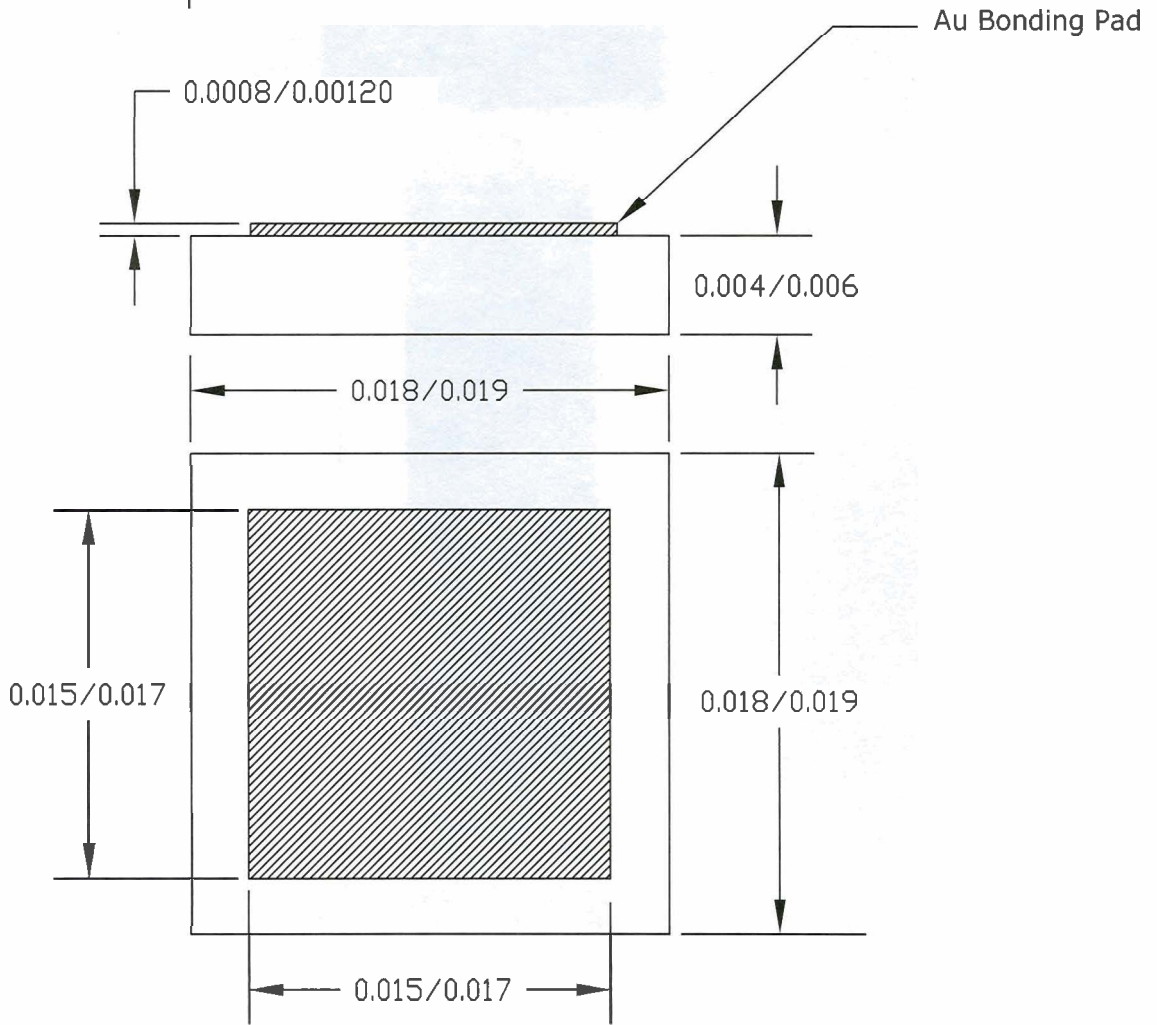


REVISIONS				
ZONE	REV	DESCRIPTION	DATE	APPROVED



For reference only

Drawn by: <i>H. Flores</i> Engineering: <i>J. Rial</i> Manager Q.A. MANAGER	<small>On Documents and Drawings/Vectorworks/3ds Max/Inventor/Photoshop/Adobe Illustrator</small> M-pulse Microwave Inc. 576 Charcot Ave. San Jose, CA 95131 mpulsemw.com			
	M-pulse Part No <p style="text-align: center; font-size: 1.5em;">C5</p>			
	SIZE	APPROVAL DATE:	PACKAGE DWG NO.	REV
	SCALE		SHEET	