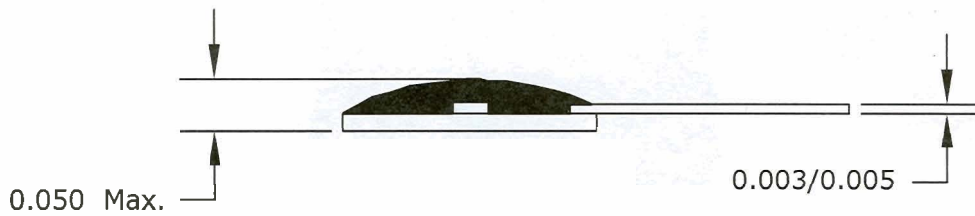
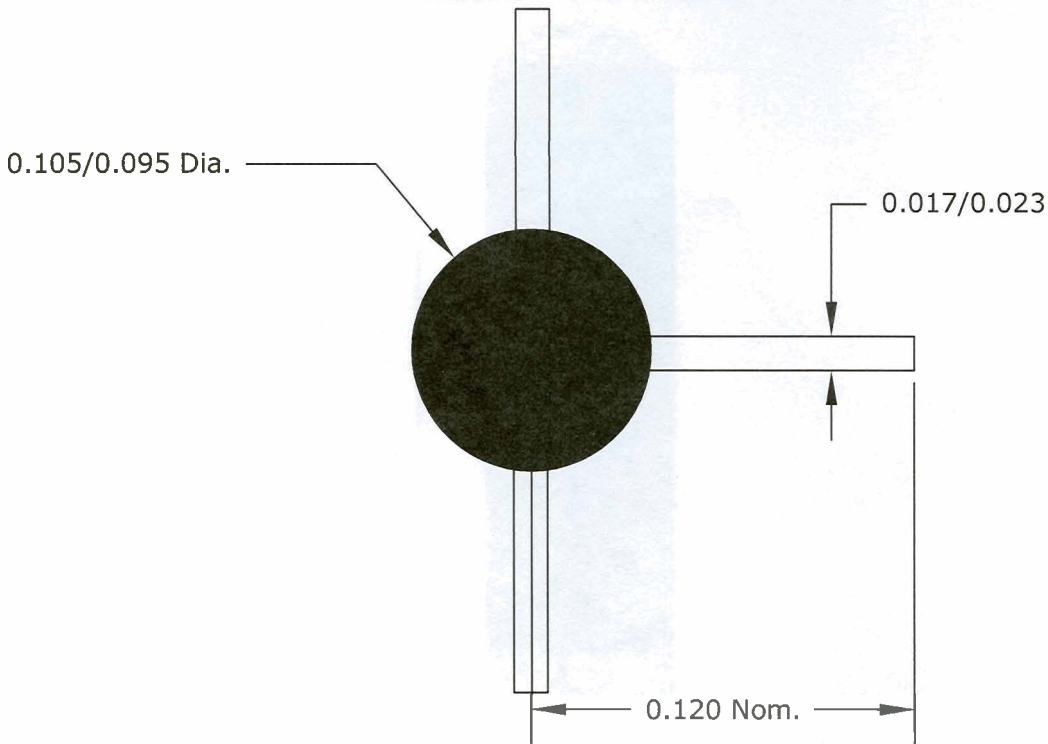




REVISIONS				
ZONE	REV	DESCRIPTION	DATE	APPROVED



For reference only

Drawn by:  Engineering:  Manager Q.A. MANAGER	APPROVAL	M-pulse Microwave Inc. 576 Charcot Ave. San Jose, CA 95131 mpulsemw.com		
		M-pulse Part No. E10		
	SIZE	APPROVAL DATE:	PACKAGE DWG NO.	REV
	SCALE			SHEET