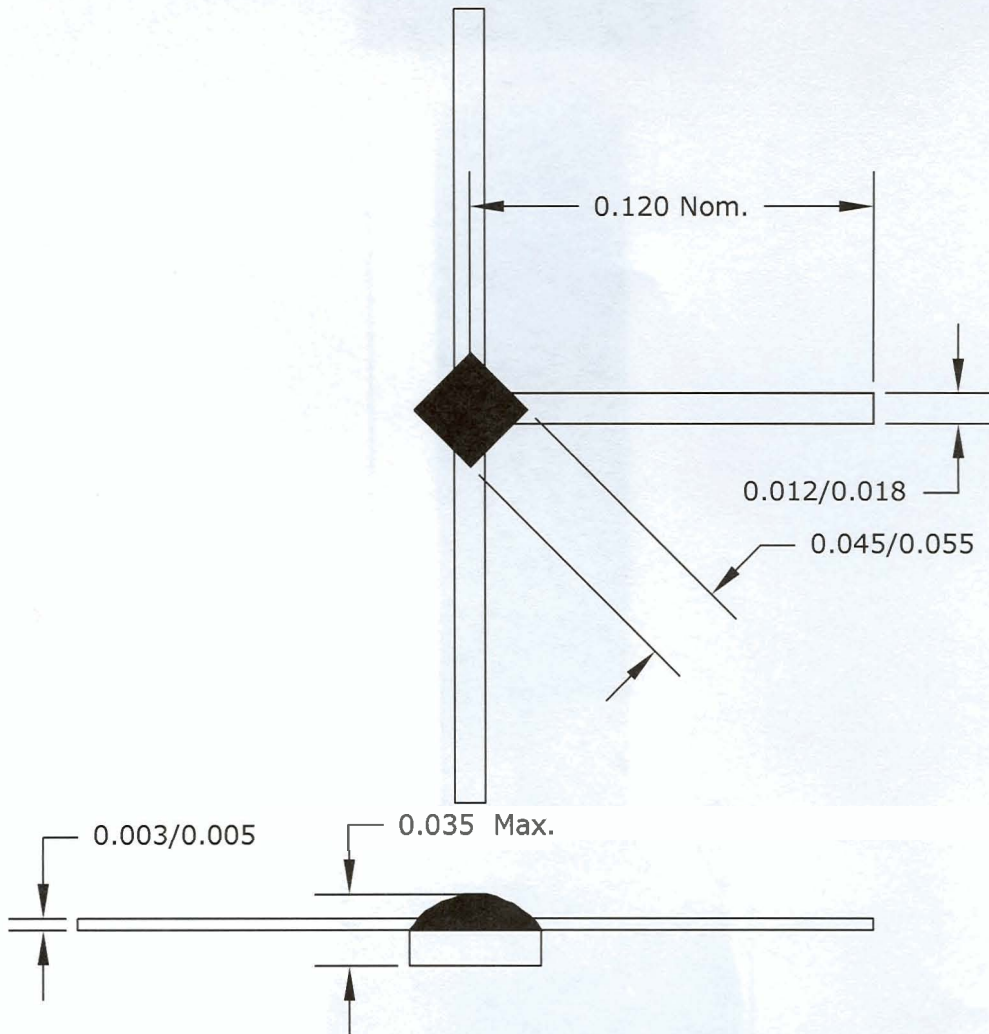


REVISIONS				
ZONE	REV	DESCRIPTION	DATE	APPROVED



For reference only

	<b>APPROVAL</b>	M-pulse Microwave Inc. 576 Charcot Ave. San Jose, CA 95131 mpulsemw.com			
	Drawn by: <i>H. Flores</i>				M-pulse Part No. <b>E11</b>
	Engineering: <i>J. R. Reid</i>	SIZE	APPROVAL DATE:	PACKAGE DWG NO.	
	Manager Q.A. MANAGER	SCALE	SHEET		