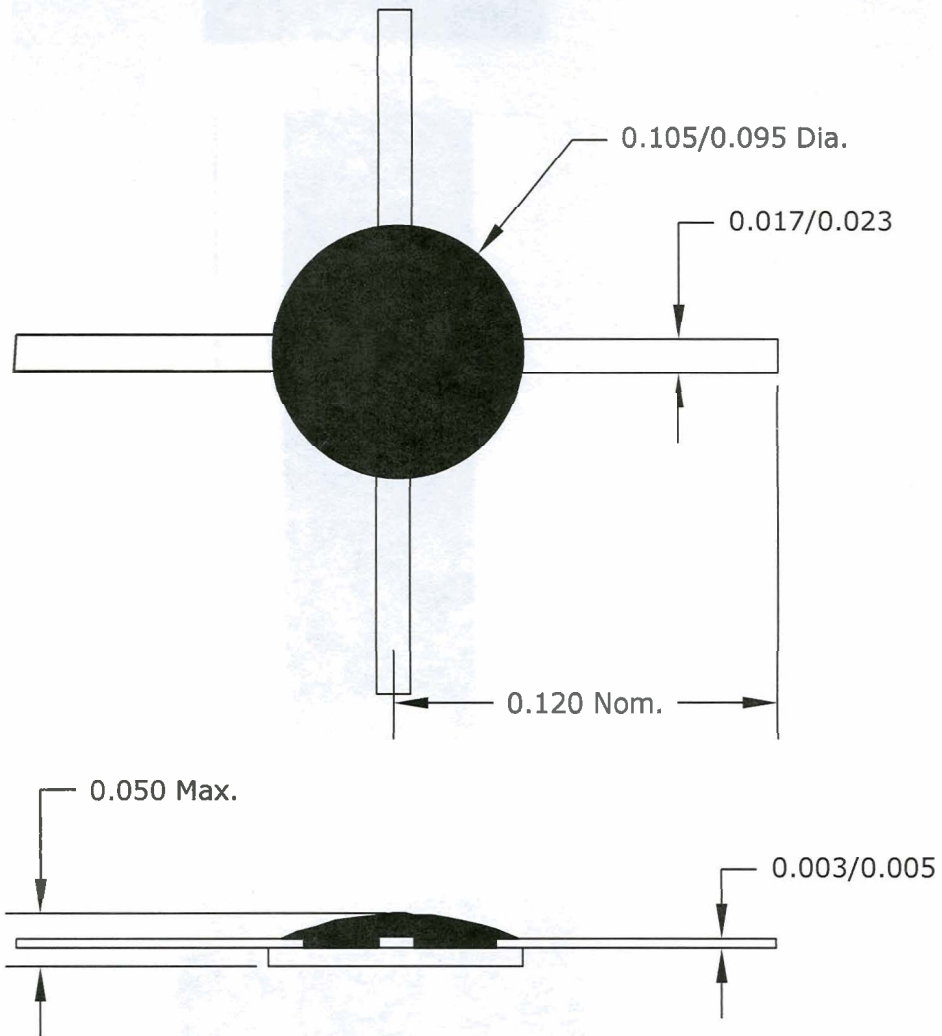


REVISIONS				
ZONE	REV	DESCRIPTION	DATE	APPROVED



For reference only

Drawn by: <i>H. Flores</i> Engineering: <i>J. Rodriguez</i> Manager Q.A. MANAGER	APPROVAL	M-pulse Microwave Inc. 576 Charcot Ave. San Jose, CA 95131 mpulsemw.com		
		M-pulse Part No. E3		
	SIZE	APPROVAL DATE:	PACKAGE DWG NO.	REV
	SCALE			SHEET