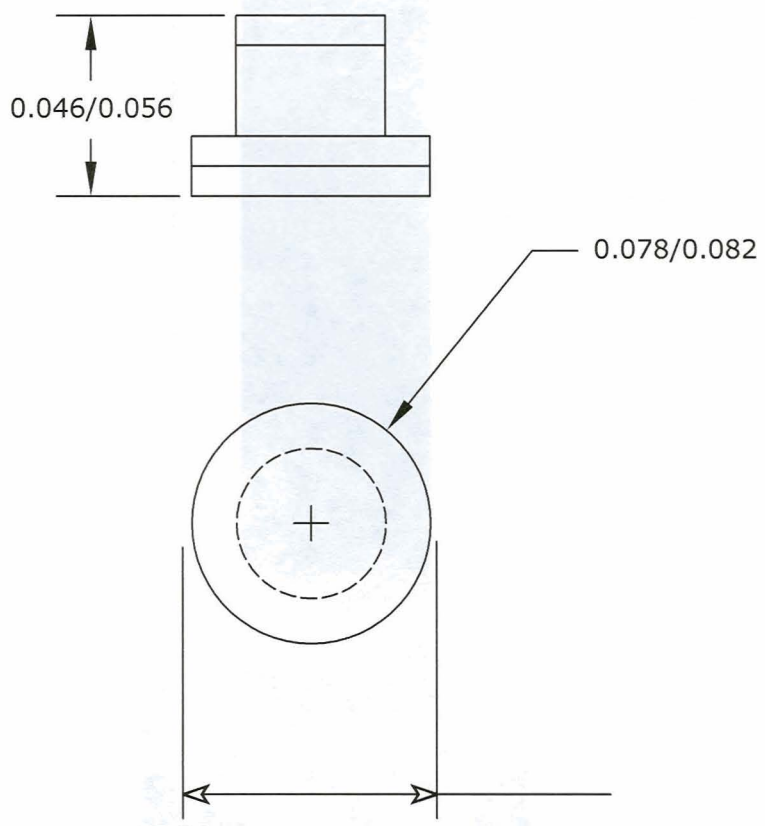


| REVISIONS |     |             |      |          |
|-----------|-----|-------------|------|----------|
| ZONE      | REV | DESCRIPTION | DATE | APPROVED |



For reference only

|                                    |  |   |                 |     |
|------------------------------------|--|---|-----------------|-----|
| APPROVAL                           |  | M-pulse Microwave Inc.<br>576 Charcot Ave.<br>San Jose, CA 95131 mpulsemw.com |                 |     |
| Drawn by:<br><i>A. Flores</i>      | <small>Documents and Settings\Vector\My Documents\My Pictures\update log.jpg</small> |   |                 |     |
| Engineering:<br><i>[Signature]</i> | M-pulse Part No.   |   |                 |     |
| Manager                            | <b>P11</b>   |   |                 |     |
| Q.A. MANAGER                       | SIZE   | APPROVAL DATE:  | PACKAGE DWG NO. | REV |
|                                    | SCALE  |   | SHEET           |     |