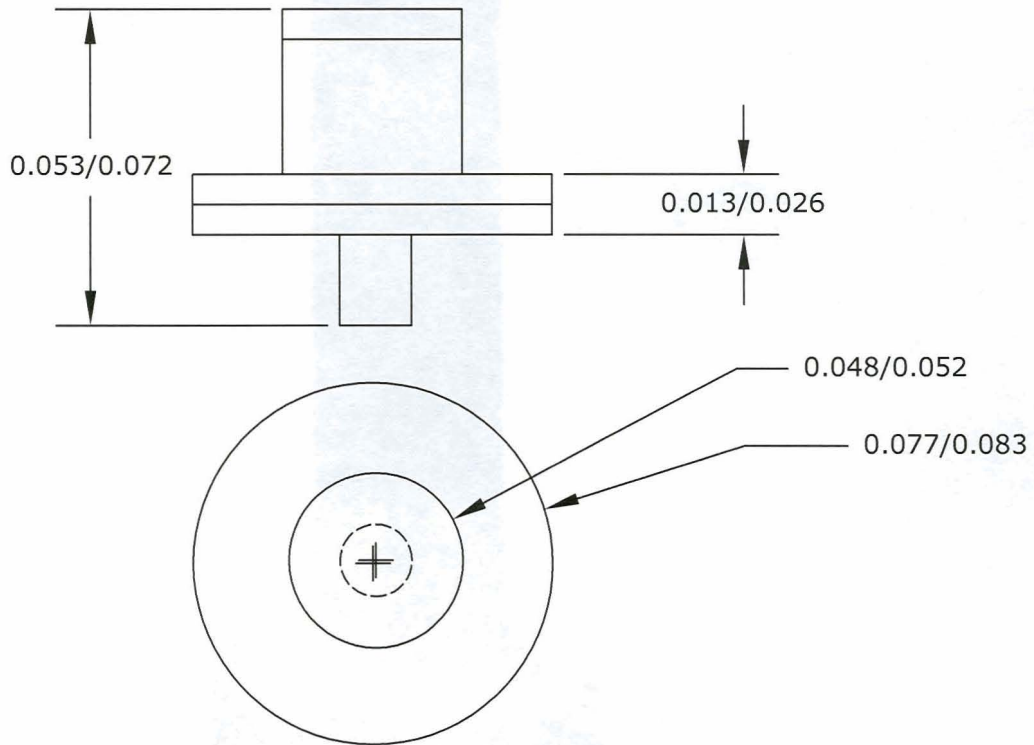


REVISIONS				
ZONE	REV	DESCRIPTION	DATE	APPROVED



For reference only

Drawn by: <i>H. Flores</i> Engineering: <i>J. R. [Signature]</i> Manager Q.A. MANAGER	<small>Documents and Settings\Vector\My Documents\My Pictures\Vector\logobw</small> M-pulse Microwave Inc. 576 Charcot Ave. San Jose, CA 95131 mpulsemw.com			
	M-pulse Part No. <p style="text-align: center; font-size: 24pt;">P7</p>			
	SIZE	APPROVAL DATE:	PACKAGE DWG NO.	REV
	SCALE		SHEET	