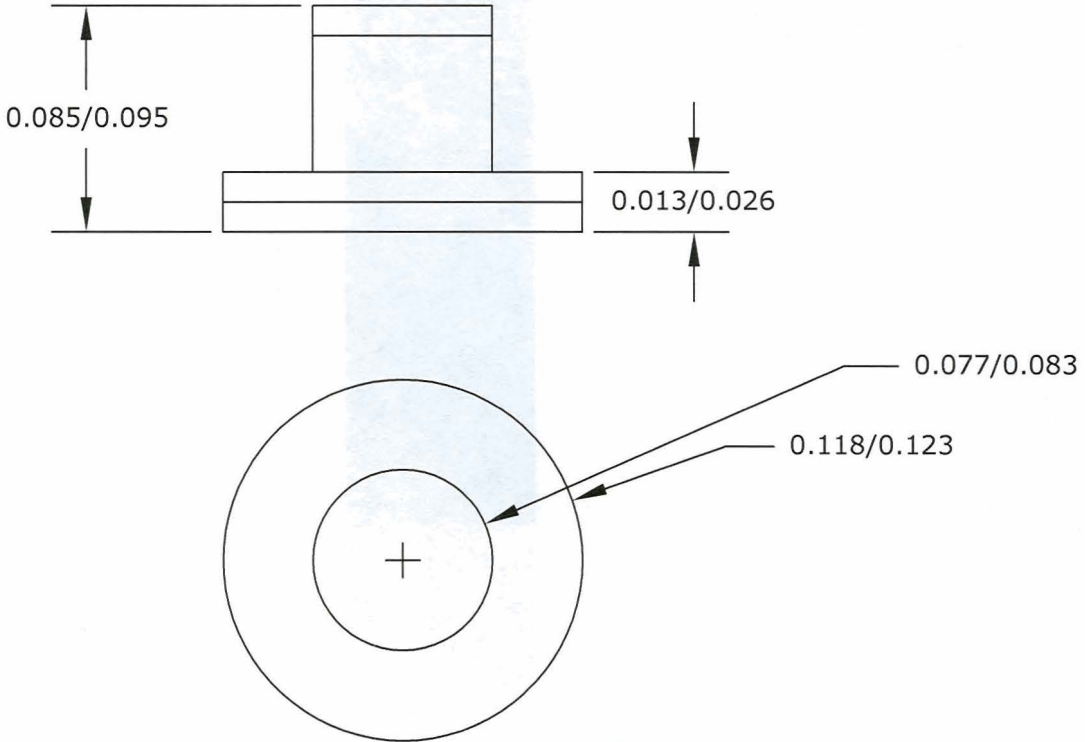


REVISIONS				
ZONE	REV	DESCRIPTION	DATE	APPROVED



For reference only

Drawn by: <i>A. Flores</i> Engineering: <i>J. Paul</i> Manager Q.A. MANAGER	<small>Documents and Settings\Victor\My Documents\My Pictures\pulses log.jpg</small> M-pulse Microwave Inc. 576 Charcot Ave. San Jose, CA 95131 mpulsemw.com		
	M-pulse Part No. <p style="text-align: center; font-size: 1.5em;">P8</p>		
	SIZE	APPROVAL DATE:	PACKAGE DWG NO.
	SCALE		SHEET