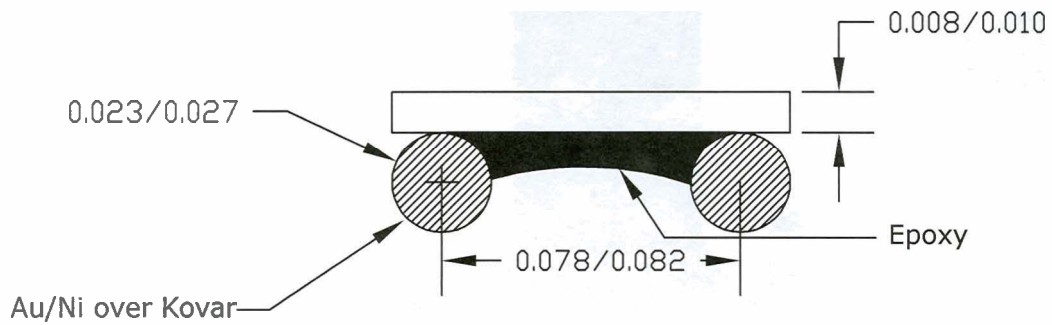
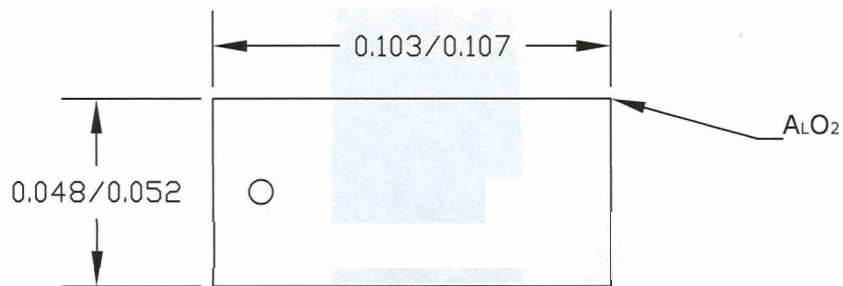


REVISIONS				
ZONE	REV	DESCRIPTION	DATE	APPROVED



For reference only

Drawn by: <i>H. Flores</i> Engineering: <i>J. Reed</i> Manager Q.A. MANAGER	APPROVAL		M-pulse Microwave Inc.	
	<small>Drawn and Engineering Responsibility Retained/Signatures Required</small>		576 Charcot Ave. San Jose, CA 95131 mpulsemw.com	
	M-pulse Part No.		SM105	
	SIZE	APPROVAL DATE:		
SCALE		SHEET		