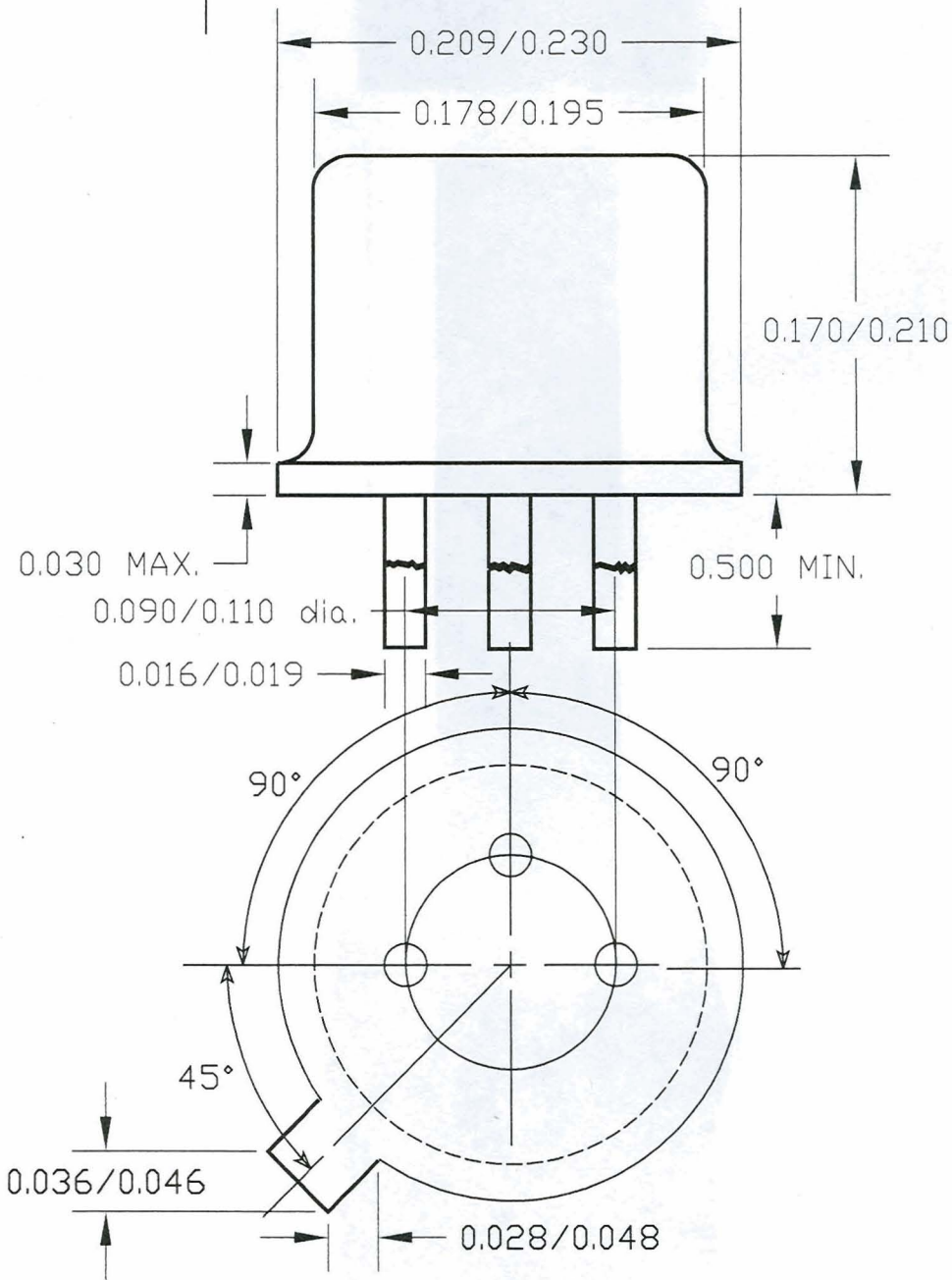


REVISIONS				
ZONE	REV	DESCRIPTION	DATE	APPROVED



NOTE: ALL DIMENSIONS ARE IN MILS

APPROVAL Drawn by: <i>Hector...</i> 5/8/06 Engineering: Manager: <i>J. Rodriguez</i> 5/8/06 Q.A. MANAGER: <i>J. Rodriguez</i> 5/8/06		M-pulse Microwave Inc. 576 Charcot Ave. San Jose, CA 95131 mpulsemw.com	
		M-pulse Part No.	
		T509	
SIZE	APPROVAL DATE:	PACKAGE DWG NO.	REV
		T509-101A	A
SCALE		SHEET	